

M300, M500



BO800RN



UBK-P

C.D.V. (UK) ELECTROMAGNETIC LOCKS

Code

C.D.V. (UK) Ltd (5 Year Warranty)

Multi Fix Mortice Magnet (500mA @ 12V dc, 250mA @ 24V dc, up to 600lbs holding force, 215 x 35 x 25mm (LxWxD))

919-0161 **P335ER** High quality Multi-Fix Mortice Magnet, monitored, 3 fixing methods

Accessories for Multi-Fix Mortice Magnet

919-0162 **AH35/1-1** Transom housing, 1 metre, 1 cut out919-0163 **AH35/2-2** Transom housing, 2 metre, 2 cut outs in the centre

Transom Magnets

919-0116 **M300** Sliding door or transom magnet, aluminium (10000) (630mA @ 12V dc, 313mA @ 24V dc, up to 300Kg holding force, 229 x 38 x 27mm (LxWxD))919-0117 **M300M** As above, with remote monitoring (10000R)919-0377 **M400** Sliding door or transom magnet, aluminium (630mA @ 12V dc, 315mA @ 24V dc, up to 400Kg holding force, 229 x 38 x 27mm (LxWxD))919-0378 **M400M** As above, with remote monitoring919-0379 **M500** Sliding door or transom magnet, Powder coated steel (630mA @ 12V dc, 315mA @ 24V dc, up to 400Kg holding force, 229 x 38 x 27mm (LxWxD))

Transom Housings

A range of traditional architectural housings, but designed to accept the S500 series of magnetic locks - single or double. Simply add which locks you require to the housings listed below.

- NEW** 927-3126 **AH500/1** Transom housing, 1 metre, 1 cut-out (to suit S500 or S500M)
- NEW** 927-3127 **AH500/2-1** Transom housing, 2 metre, 1 cut-out (to suit S500 or S500M)
- NEW** 927-2671 **AH500/2-2** Transom housing, 2 metre, 2 cut-outs (to suit SD500 or SD500M)
- NEW** 927-3128 **AH500/1L** 1 metre L bracket for AH500/1
- NEW** 927-3129 **AH500/2L** 2 metre L bracket for AH500/2
- 927-0408 **AH38/1** Transom housing, 1 metre, 1 cut out (AH1/1) (M300 series)
- 927-0410 **AH38/2-2** Transom housing, 2 metre, 2 cut outs in the centre (ARCH-2/2C)

Profiled "Pull Handle" Style Housings - New Style - Enhanced Security

A new range of profiled architectural housings, including 400Kg magnetic locks for added security. This range is supplied with the magnetic locks and armatures already fitted, and include a new method of fixing, which makes it quick, simple and efficient. Supplied as SAA, but RAL colours can be requested at an additional charge.

- NEW** 919-0507 **BO800RN-3M-3V** 3000mm handle c/w 3 No. magnetic locks
- NEW** 919-0508 **BO800RN-3M-2V** 3000mm handle c/w 2 No. magnetic locks
- NEW** 919-0509 **BO800RN-2.5M-3V** 2500mm handle c/w 3 No. magnetic locks
- NEW** 919-0510 **BO800RN-2.5M-2V** 2500mm handle c/w 2 No. magnetic locks
- NEW** 919-0511 **PBO800RN-2V** 600mm handle c/w 2 No. magnetic locks
- NEW** 919-0512 **PBO800RN-1V** 400mm handle c/w 1 No. magnetic lock
- NEW** 919-0513 **UBK-BO800-3M** 3000mm glass door fixing kit for BO800RN
- NEW** 919-0514 **UBK-PBO800** 400mm glass door fixing kit for PBO800RN

The Patent design of the "Pull Handle" gives a unique locking solution to areas where security and aesthetics' are paramount. The Handle comes in various lengths and configurations, the most popular is the "Retrofit" (BO600RT-P335) version, where the magnets are housed in a box section and then fixed to the frame of the door, and the Armature plates are situated on the Handle section. The opposite applies to the "BO600- P335" but there is no box section as the magnets are in the Handle, and so a Door Loop will be required. The Profile Handles are available in two lengths, the most popular is the 2.5m for full length fixing, and includes two Mortice magnets, and the other is the 400mm Handle, with only 1 mortice magnet. As this is a specialist product, the Technical Sales Support department are available to help guide you through what handle is best suited for the task.

Retrofit housings

A 2 piece housing where the magnet is fitted into box section that is mounted on the fixed leaf or frame and the armature is fitted into the housing.

- 919-0151 **BOHRT-P335** 400mm housing including 1 x P335ER magnet (BOHRT)
- 919-0153 **BO600RT-P335** 2.5 metre housing includes 2 x P335ER magnets (BO600RT)

Note: These housings as a special order can be anodised to any RAL colour and are also available with fitted keypads.

- 919-0154 **UBK-BO-600** Glass door fixing bracket to suit BO600-P335 & BO600RT-P335 - no adhesive required (UBK2.5M)



S SERIES



MAGNETIC BRACKETS & ACCESSORIES



ES180, ES400, ES500

C.D.V. (UK) ELECTROMAGNETIC LOCKS (continued)

Code

Micro Magnet Aluminium (630mA @ 12V dc, 313mA @ 24V dc, up to 180Kg holding force, 168 x 33 x 20mm (LxWxD))

919-0157 **S180** Standard mount, monitored

Micro Magnets External Stainless Steel (630mA @ 12V dc, 313mA @ 24V dc, up to 180Kg holding force, 168 x 33 x 24mm (LxWxD))

919-0118 **ES180** Standard mount

Accessories for above micro magnets

927-0415 **180L** Bracket L for S180 micro magnet, not required for ES180

927-0416 **180Z** Bracket Z for micro magnets

927-0718 **180ZL** Bracket Z & L for S180 micro magnet

Aluminium Magnetic Lock Series

With health & safety and aesthetics very much in mind, CDV have re-worked their range of aluminium magnetic locks. Each model now includes two important new features: -

- The square cornered aluminium ends have been replaced by rounded polycarbonate ends, which have been designed to reduce the risk of serious injury.
- Each model is supplied with "security ropes". Vibration caused by doors slamming shut can loosen the magnets fixing bolts, eventually causing the magnet to fall. When fitted, the security ropes "catch" the magnet and prevent the magnet falling.

Mini Magnets (S300: 630mA @12V dc, 315mA @ 24V dc, up to 600lbs holding force, 253 x 46 x 27mm (LxWxD))

919-0109 **S300** Mini Magnet (10001)

919-0111 **S300M** Mini Magnet - monitored (hall effect)(10002)

919-0121 **S300DS** Mini Magnet, c/w door status reed switch (10001DS)

919-0122 **S300MDS** Mini Magnet c/w door status reed switch & hall effect monitoring (10002DS)

919-0123 **SD300** Double Mini Magnet (10004)

919-0124 **SD300M** Double Mini Magnet - monitored (hall effect) (10005)

Mini+ Magnets (S400: 610mA @ 12V dc, 305mA @ 24V dc, up to 880lbs holding force, 250 x 41 x 27mm (LxWxD))

919-0308 **S400** Mini+ Magnet

919-0309 **S400M** Mini+ Magnet, monitored (electronic reed)

Accessories for Mini Magnets

927-0386 **300L** Bracket L to suit mini magnet (GE100M)

927-0387 **300/500Z** Universal Z bracket to suit 300 series & 500 series magnets

927-0390 **300ZL** Bracket Z & L Kit to suit mini magnet (GE300M)

927-1933 **300L-AC** Architectural L bracket for 300 series

927-1934 **300Z-AC** Architectural Z bracket for 300 series

927-0395 **300AS** Surface Armature housing to suit mini magnet (wooden doors) (GE-320M)

927-0399 **UBKU** Universal U bracket for glass doors, for mini and standard armatures

927-0398 **ADH-KIT** Adhesive for glass door armature housing (GDADH)

927-1497 **DPM300** Door status retrofit kit for 300/400KG magnets

919-0292 **UBKP** Universal glass door bracket for magnetic locks and surface housings

NEW

RF-Magnet

919-0350 **RF-MAGNET-KIT1** Complete kit incorporating 1x S300 magnet, 1x RF-MAGNET-PCB & 2 x TX26-E2 transmitters. Requires 12V dc PSU.

927-1656 **RF-MAGNET-PCB** Retrofit receiver PCB ONLY to fit to S300 or S500 magnets. Requires suitable transmitter

928-0621 **TX26-E2** Two-channel Rolling code transmitter for RF magnet. Up to 20 per RF magnet.

FIXED TRANSMITTERS - The TX26-TM is a wall/desk mounted transmitter with 4 active buttons. It is ideal as an exit button for wireless systems. The DIGIKEY-433 is an RF keypad, with 20 user codes and a master programming code. It will transmit to any of our receivers, and has an integral battery for a complete wire-free system. LED and audible signals provide annunciation of data transmit and low battery.

928-0623 **TX26-TM** Four-channel Rolling code transmitter Wall Mount suitable for any C.D.V. Rolling code receiver

905-0054 **DIGIKEY-433** Radio keypad, 20 codes, IP44 rated, ideal for use where it is difficult to run cables

Electromagnetic Locks continued overleaf

Code

C.D.V. (UK) Ltd (5 Year Warranty) (continued)

Standard Magnets (S500: 610mA @ 12V dc, 305mA @ 24V dc, up to 1200lbs holding force, 265 x 66 x 41mm (LxWxD))

| | |
|----------|--|
| 919-0110 | S500 Standard Magnet (10010) |
| 919-0126 | S500M Standard Magnet - monitored (hall effect) (10020) |
| 919-0127 | S500M2 Standard Magnet - monitored, double pole, as above (10030) |
| 919-0128 | S500DS Standard Magnet c/w door status reed switch (10010DS) |
| 919-0129 | S500MDS Standard Magnet as above c/w door status reed switch & hall effect monitoring (10020DS) |
| 919-0108 | SD500 Double Standard Magnet, up to 1200lbs holding force both sides, (10060) |
| 919-0131 | SD500M Double Standard Magnet - monitored (hall effect) (10040) |
| 919-0132 | SD500M2 Double Standard Magnet - double monitored (hall effect & reed) (10050) |
| 919-0248 | SD500MDS Double Standard Magnet - monitored c/w door status reed switch |



DPM500

Accessories for Standard Magnets

| | |
|----------|--|
| 927-0388 | 500L Bracket L to suit standard magnet (GE100S) |
| 927-0387 | 300/500Z Universal Z bracket to suit 300 series & 500 series magnets |
| 927-0391 | 500ZL Z and L Bracket Kit to suit standard magnet (GE-300S) |
| 927-0396 | 500AS Surface Armature housing to suit standard magnet (also glass door armature housing) (GE-320S) |
| 927-1936 | 500L-AC Architectural L bracket for 500 series |
| 927-1937 | 500Z-AC Architectural Z bracket for 500 series |
| 927-0398 | ADH-KIT Adhesive for glass door armature housing (GDADH) |
| 927-1496 | DPM500 Door position monitoring retrofit kit for standard 500KG magnets |



EM SERIES EXTERNAL MAGNETS

Surface External Magnets

The ES180, ES400 & ES500 have the following features as standard: -

- 12 or 24V dc selectable
- Face or Vertical fix
- Non-Handed
- Monitored
- Full Stainless Steel
- IP67 rated

| | |
|----------|--|
| 919-0118 | ES180 Micro external magnet, 630mA @ 12V dc, 313mA @ 24V dc, 168 x 33 x 24mm (LxWxD), holding force 180Kg |
| 920-0033 | ES400 Midi external magnet, 630mA @ 12V dc, 313mA @ 24V dc, 230 x 43 x 30mm (LxWxD), holding force 400Kg |
| 920-0032 | ES500 External magnet, 630mA @ 12V dc, 313mA @ 24V dc, 270 x 80 x 60mm (LxWxD), holding force 500Kg |

The ES500 series is also available in a range of different finishes.

Accessories for External Magnets

| | |
|----------|-------------------------------------|
| 928-0609 | ESL-400 L Bracket for ES400 |
| 928-0610 | ESL-500 L Bracket for ES500 |
| 919-0177 | ES-Z Z Bracket for ES400/500 |



POWERMAG

Mortice External Magnets

The EM180, EM300 & EM500 have the following features as standard: -

- 12 or 24V dc selectable
- Face or Vertical fix
- Mortice mounted
- Monitored
- Full Stainless Steel
- IP67 rated

| | |
|----------|---|
| 927-1939 | EM180 Micro external magnet, 630mA @ 12V dc, 313mA @ 24V dc, 206 x 32 x 24mm (LxWxD) |
| 927-1940 | EM300 Midi external magnet, 630mA @ 12V dc, 313mA @ 24V dc, 228 x 38 x 27mm (LxWxD) |
| 919-0300 | EM500 External magnet, 630mA @ 12V dc, 313mA @ 24V dc, 288 x 64 x 38mm (LxWxD) |

Shearlocks

| | |
|----------|--|
| 920-0073 | Powermag 30 30 mm wide shearlock with wide operating voltage 12-40V dc |
| 920-0074 | Powermag 25 25 mm wide shearlock with wide operating voltage 12-40V dc |
| 920-0075 | Firelock Approved heavy duty shearlock for fire exit doors and exit routes, 12-40V dc |
| 920-0014 | CSL-30 Shearlock, self-aligning, unmonitored, 30mm wide (630mA @ 12V dc, 313mA @ 24V dc, up to 1500Kg holding force, 230 x 30 x 38mm (LxWxD)) |
| 928-0600 | CSL-30-H Surface housing for CSL-30 (pair) |
| 920-0041 | SHL-1200 Shearlock, monitored, Eccentric lock pin, 268 x 30 x 35mm (LxWxD), 12-24V dc, up to 1500Kg holding force |
| 927-1295 | SHL-1200-H Surface housing for SHL-1200 (pair) |
| 920-0011 | SL705 Shearlock, monitored, Eccentric lock pin, 268 x 35 x 35mm (LxWxD) |



CSL-30 & SHL-1200

Solenoid Bolt (DX200: 1100mA inrush falling to 140mA @ 12V dc, 200 x 27 x 42mm (LxWxD)) (SB262: 1800mA inrush falling to 190mA @ 12V dc, 262 x 35 x 35mm (LxWxD))

| | |
|----------|---|
| 919-0259 | DX200 Solenoid bolt, 12V dc, fail safe with door status and lock outputs, anti-tamper bolt |
| 919-0260 | DX200H Surface housing for solenoid bolt |
| 927-0374 | SB262 Solenoid bolt, fail safe |
| 927-0383 | SB262H Surface housing for solenoid bolt |

DX-4000 series solenoid bolts

| | |
|----------|---|
| 919-0380 | DX-4025F Fail secure with 25mm backset |
| 919-0381 | DX-4025IF As above, fail safe |
| 919-0382 | DX-4030F Fail secure with 30mm backset |
| 919-0383 | DX-4030IF As above, fail safe |

The DX-4000 Series of solenoid bolts are new high quality units with a host of features. These solenoid bolts are available as fail safe or fail secure, and include lock and door status monitoring. Available in a variety of backsets and the capability of accepting a Euro profile cylinder (euro cylinder not included).



DX200 & DX4025

Electric Locks - SDA Series

The SDA range of locks offer reliable locking of single and double action doors by means of a roller dead-locking latch mechanism. Provision for a Euro Cylinder over-ride is standard (cylinder not supplied) and different backsets with the option of fail safe or fail secure making the SDA a very flexible locking solution. A full fixing kit is supplied with each lock.

| | |
|----------|---|
| 921-0541 | SDA-25 Double action electric lock, 12V dc, monitored, fail secure, 25mm backset for euro cylinder |
| 921-0539 | SDA-25I As above, fail safe |
| 921-0540 | SDA-30 Double action electric lock, 12V dc, monitored, fail secure, 30mm backset for euro cylinder |
| 921-0538 | SDA-30I As above, fail safe |
| 921-0542 | SDA-35 Double action electric lock, 12V dc, monitored, fail secure, 35mm backset for euro cylinder |
| 921-0537 | SDA-35I As above, fail safe |



SDA SERIES



MS5 & MS5 TRIPLE



MS15 SERIES



MS11 SERIES



MS20 SERIES

MAGNETIC SOLUTIONS ELECTROMAGNETIC LOCKS

Code

MAGNETIC SOLUTIONS (5 Year Warranty)

Cabinet Micro Magnet (500mA @ 12V dc, up to 100Kg holding force, 100 x 30 x 25mm (LxWxD))

919-0165 **MS5SSU** Micro magnet rear fixing 12V dc, surface mount

NEW

909-0515 **MS5SSU-DS** As above but with Door Status

NEW

909-0516 **MS5TRIPLE** Triple version of MS5SSU for use on inward opening doors with auto closers, 90 x 90 x 25mm, 300kg hold force, 12V dc @ 600mA

NEW

909-0517 **MS5TRIPLE-DS** As above, with Door Status

NEW

927-3130 **MS5TRIPLE Z** Z Bracket for use with MS5TRIPLE

The above magnet is also available in 24V dc

Mini Magnet

919-0046 **MS10SSU** Mini magnet, side & face fixing, 12V dc, surface mount

MS11 Series

The new MS11 is a lower cost alternative to the MS20 by virtue of a lesser specification surface plating.

919-0462 **MS11SSU** SINGLE surface fitting slim magnet, 12/24V dc, unmonitored919-0463 **MS11DSU** DOUBLE surface fitting slim magnet 12/24V dc, unmonitored

MS15 Series

919-0047 **MS15SSU** SINGLE surface fitting slim single magnet, 12/24V dc, unmonitored919-0187 **MS15SSU-DS** SINGLE surface fitting slim single magnet, 12/24V dc, integral reed switch (indicating door open or closed)919-0052 **MS15SSM** SINGLE surface fitting slim magnet, 12/24V dc, monitored (hall effect indicating locked or not locked)927-1234 **MS15SSM-DS** SINGLE surface fitting slim magnet, 12/24V dc, monitored (hall effect indicating locked or not locked), integral reed switch (indicating door open or closed)919-0096 **MS15DSU** DOUBLE surface fitting slim single magnet, 12/24V dc, unmonitored919-0287 **MS15DSU-DS** DOUBLE surface fitting slim single magnet, 12/24V dc, integral reed switch (indicating door open or closed)919-0097 **MS15DSM** DOUBLE surface fitting slim magnet, 12/24V dc, monitored (hall effect indicating locked or not locked)919-0145 **MS15DSM-DS** DOUBLE surface fitting slim magnet, 12/24V dc, monitored (hall effect indicating locked or not locked), integral reed switch (indicating door open or closed)

NEW

920-0047 **MS15SSU-200** Short 200mm long magnet for use with large closing arms. The PCB is remotely mounted

NEW

919-0518 **MS15SSU-DS-200** As above, with door status

MS20 Transom Series:- Door Status reed switch fitted as standard on all MS20 Unmonitored magnets

919-0039 **MS20SFU-DS** Flush fitting SINGLE magnet, 12/24V dc, unmonitored with door status919-0038 **MS20SFM** As above, monitored (hall effect)919-0045 **MS20SSU-DS-270** Surface fitting SINGLE magnet in a 270mm housing, 12/24V dc, unmonitored with door status919-0044 **MS20SSM-270** As above, monitored (hall effect)919-0043 **MS20SSU-DS-1M** Surface fitting SINGLE magnet in a 1m housing, 12/24V dc, unmonitored with door status919-0040 **MS20SSM-1M** As above, monitored (hall effect)919-0098 **MS20SSU-DS-2M** Surface fitting SINGLE magnet in a 2m housing, 12/24V dc, unmonitored with door status919-0099 **MS20SSM-2M** As above, monitored (hall effect)919-0048 **MS20DSU-DS-540** Surface fitting DOUBLE magnet in a 540mm housing, 12/24V dc, unmonitored with door status919-0100 **MS20DSM-540** As above, monitored (hall effect)919-0049 **MS20DSU-DS-2M** Surface fitting DOUBLE magnet in a 2m housing, 12/24V dc, unmonitored with door status919-0103 **MS20DSM-2M** As above, monitored (hall effect)919-0192 **MS20DSU-DS-2M-VERT** Vertical version of Double magnet in 2M housing. Magnets at top and bottom, 12/24V dc, unmonitored with door status919-0310 **MS20DSM-2M-VERT** As above, monitored (hall effect)

MS11/MS15/MS20 Dimensions

MS11 Single 270 x 48 x 27

Double 520 x 48 x 27

MS15 Single 270 x 50 x 27

Double 520 x 50 x 27

MS20 Single 275 x 44 x 32

Double 540 x 44 x 32

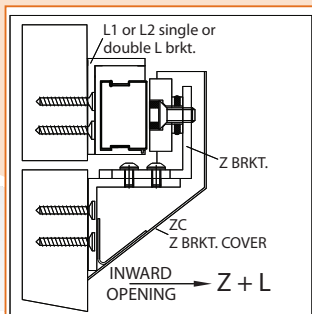
Full width transom housings 1M & 2M

MS11, MS15, MS20 Details Performance Details for the Slimline Magnet ranges MS11, MS15, MS20

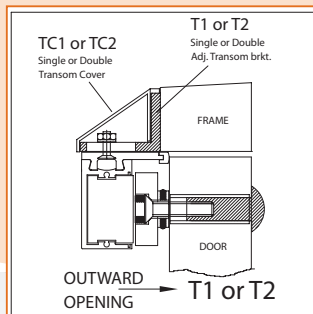
Current consumption @12V dc = 250 mA & @24V dc = 500mA

Holding force per door up to 270 kgs (600lb) for the MS11 & up to 300kgs (660lb) for the MS15 & MS20

Electromagnetic Locks continued overleaf



INWARD OPENING



OUTWARD OPENING



MS5T1



MS530 SERIES

MAGNETIC SOLUTIONS ELECTROMAGNETIC LOCKS (continued)

Code

MAGNETIC SOLUTIONS (5 Year Warranty) (continued)

Accessories for MS5, MS10, MS15 & MS20 Series

| | |
|----------|--|
| 919-0373 | MS5T1 Side fixing bracket for MS5 |
| 927-0207 | MS101520Z Bracket Z for inward opening doors for MS10, MS11, MS15 & MS20 |
| 927-2421 | MS11L1 Bracket L for SINGLE MS11 (inward opening doors) |
| 927-0322 | MS15L1 Bracket L for SINGLE MS15 (inward opening doors) |
| 927-0208 | MS20L1 Bracket L for SINGLE MS20 (inward opening doors) |
| 927-0216 | MS101520T1 Adjustable bracket, 270mm long (outward opening doors) for MS10, MS11, MS15 & MS20 SINGLE magnets |
| 927-0305 | MS101520T2 DOUBLE adjustable transom bracket, 540mm long (outward opening doors) for MS10, MS11, MS15 & MS20 DOUBLE magnets |
| 927-2422 | MS11L2 DOUBLE L bracket (inward opening doors) to suit MS11 DOUBLE magnet |
| 927-0304 | MS15L2 DOUBLE L bracket (inward opening doors) to suit MS15 DOUBLE magnet |
| 927-0349 | MS20L2 DOUBLE L bracket (inward opening doors) to suit MS20 DOUBLE magnet |
| 927-0318 | MS101520ZC Cover for the Z Bracket (brushed anodised aluminium) |
| 927-0320 | MS101520TC1 Cover for transom bracket (brushed anodised aluminium) |
| 919-0372 | MS5AMTPL Armature mounting plate, surface for MS5 outward opening only |
| 927-0212 | MS101520AMTPL Armature mounting plate, surface for MS10, MS11, MS15 & MS20 outward opening only |
| 927-0213 | MS101520ARHSG Bevelled edged surface, armature housing for MS10, MS11, MS15 & MS20 |
| 927-0309 | MS101520AFHSG Flush fixing armature housing for MS10, MS11, MS15 & MS20 |
| 927-0323 | MS15RL1 Rear L bracket for centre hung aluminium doors |
| 927-0308 | MS101520TC2 DOUBLE cover (brushed anodised aluminium) |
| 927-0310 | MS15RL2 DOUBLE rear L bracket for centre hung aluminium doors |
| 927-1240 | MS20T1-1M SINGLE adjustable transom bracket 1M long (outward opening doors) for MS20 SINGLE 1M transom housing |
| 917-0492 | MS20T2-2M DOUBLE adjustable transom bracket 2M long (outward opening doors) for MS20 DOUBLE Horizontal transom housing |
| 927-2237 | MS1520AGFKIT Glass fixing kit for MS15 & 20 Armature, use MSPENLOC adhesive |

NEW

MS30 Maxi Series

| | |
|---|---|
| 919-0042 | MS30SSU SINGLE surface fitting single magnet, 12/24V dc, unmonitored |
| 919-0311 | MS30SSU-DS SINGLE surface fitting single magnet, 12/24V dc, unmonitored with door status |
| 919-0051 | MS30SSM SINGLE surface fitting single magnet, 12/24V dc, monitored |
| 919-0146 | MS30SSM-DS SINGLE surface fitting single magnet, 12/24V dc, monitored with door status |
| To fit either of the single magnets into a universal 1 metre transom housing - suffix code as -1M i.e. MS30SSU - 1M | |
| 919-0041 | MS30DSU DOUBLE surface fitting single magnet, 12/24V dc, unmonitored |
| 919-0289 | MS30DSU-DS DOUBLE surface fitting single magnet, 12/24V dc, unmonitored with door status |
| 919-0104 | MS30DSM DOUBLE surface fitting single magnet, 12/24V dc, monitored |
| 919-0147 | MS30DSM-DS DOUBLE surface fitting single magnet, 12/24V dc, monitored with door status |
| To fit either of the double magnets into a universal 2 metre transom housing - suffix code as -2M i.e. MS30DSU - 2M | |

Above available in different finishes, Please contact Technical Sales Support for further information.

Performance Details for the Maxi Magnet Range:
MS30
 Current consumption
 @ 12V dc = 250 mA
 @ 24V dc = 500 mA
 Holding force up to 600 Kgs or 1300 lbs per door

MS30 Dimensions
 Dimensions in mm (LxWxD)
MS30
 Single 266 x 67 x 41
 Double 533 x 67 x 41
MS30
 External 202 x 70 x 40
 Transom Housings: 1M & 2M



ACCESSORIES



WEATHERPROOF SERIES



MS41 SERIES

MAGNETIC SOLUTIONS ELECTROMAGNETIC LOCKS (continued)

Code

MAGNETIC SOLUTIONS (5 Year Warranty) (continued)

Accessories for MS30 Series

| | |
|----------|---|
| 927-0209 | MS30Z Bracket Z (inward opening doors) |
| 927-0210 | MS30L1 Bracket L for SINGLE MS30 (inward opening doors) |
| 927-0325 | MS30L2 DOUBLE L bracket (inward opening doors) for MS30 DOUBLE magnets |
| 927-0215 | MS30T1 Adjustable SINGLE L bracket for MS30 (outward opening doors) |
| 927-0326 | MS30T2 Adjustable DOUBLE L bracket (outward opening doors) for MS30 DOUBLE magnets |
| 927-0319 | MS30ZC Cover for Z bracket (brushed anodised aluminium) |
| 927-0321 | MS30TC1 Cover for the Transom bracket (brushed anodised aluminium) |
| 927-0324 | MS30EP1 Extended mounting plate to give forward fixing points for SINGLE MS30 |
| 927-0328 | MS30TC2 DOUBLE transom cover (brushed anodised aluminium) |
| 927-0327 | MS30EP2 Extended mounting plate to give forward fixing points for DOUBLE MS30 |
| 927-0211 | MS30AMTPL Armature mounting plate |
| 927-0313 | MS30ARHSG Bevelled edged surface armature housing plate |
| 927-0314 | MS30AFHSG Flush fixing armature housing plate |
| 927-0316 | MSPENLOC Adhesive kit for glass doors |

Weatherproof Electromagnetic Locks

| | |
|----------|---|
| 919-0056 | MS20WPU Weatherproof slimline magnet in a Stainless Steel housing, cable gland, 3m 3 core cable, unmonitored (Gate Lock) |
| 919-0037 | MS30WPU Weatherproof magnet in a Stainless Steel housing, cable gland, 3m 3 core cable, unmonitored (Gate Lock) |
| 919-0036 | MS30WPM As above, monitored (hall effect) |

The cable exit on the above magnets are from one end as standard. However they are available with a cable exit from the rear. Please contact our Technical Sales Support department for further information.

Electromagnetic Shearlocks

MS40 Shearlock Series

| | |
|---------------------|---|
| 920-0008 | MS40SFM/30 MORTICE fixing magnet and armature, door position switch, monitored 12/24V dc |
| 919-0155 | MS40SFM/25 As per MS40SFM with a 25mm wide body |
| 920-0009 | MS40SSM SURFACE fixing magnet and armature, monitored, for metal/timber frames 12/24V dc |
| 927-0315 | MS40GFKIT Glass fixing kit (per surface housing) to suit 10 or 12mm APG doors |
| 927-0316 | MSPENLOC Adhesive to attach mounting plate to glass door (one per door required) |
| NEW 927-3131 | MSGGLASSCLEAN Isopropyl wipe in a sachet for cleaning glass prior to using MSPENLOC adhesive |

Above are available in different formats inc Shearlock to install vertically

MS41 Shearlock Series

| | |
|---------------------|---|
| 920-0006 | MS41SFM MORTICE fixing magnet and armature, door position switch, monitored, 12/24V dc |
| 920-0007 | MS41SSM SURFACE fixing magnet and armature, monitored, for metal/timber frames, 12/24V dc |
| 920-0015 | MS41DSM SURFACE fixing DOUBLE shearlock, 12/24V dc |
| 919-0105 | MS41SFCSAM A mixture of the above two, i.e. FLUSH magnet & SURFACE armature |
| 927-0317 | MS41GFKIT Glass fixing kit, requires MSPENLOC (one per housing i.e. 2 required with MS41SSM) |
| 927-0316 | MSPENLOC Adhesive to attach mounting plate to glass door (one per door required) |
| NEW 927-3131 | MSGGLASSCLEAN Isopropyl wipe in a sachet for cleaning glass prior to using MSPENLOC adhesive |

Performance Details for the Shearlock Range: MS41

Supply Voltage anywhere between 12V and 24V dc

Current consumption = 1.5A for 2 sec. then reducing to 450 mA continuous hold.
Shear force of up to 1,000 Kg per door

MS41 Dimensions
Dimensions in mm (LxWxD)

Mortice Type 163 x 30 x 25
Surface Type 200 x 38 x 38

Solenoid bolt

| | |
|----------|---|
| 921-0050 | SLB120A SURFACE mount, solenoid bolt, monitored, fail safe, 12V dc |
|----------|---|